

Vantage *Plus* Digital

Instructions

The Keeler Vantage Plus Digital is an indirect ophthalmoscope that captures images as seen by the user, primarily for teaching purposes.

Keeler does not recommend the use of the digital data for diagnostic purposes.

1 List of contents

- Vantage Plus binocular indirect ophthalmoscope
- Vantage Plus instructions
- Software driver and application
- USB Cable (5m)
- Remote hand switch

2 Set up

Set up your Vantage Plus Digital as you would normally set up your indirect (for full instructions see instruction CD 2415-P-7001). The unit should be set up before starting examination procedures and not adjusted over patient.



3 Install the software

Refer to Software Setup and Quick Start Guide - EP59-09871 (Paper) or Installation Disc 2415-P-7003

4 Plug in the USB cable

When the software has been installed, plug in the cable to the mini USB port – see example below



Plug in USB cable to your computer



Cable to USB port

5 Follow the remote hand switch instructions

Follow the remote hand switch / foot switch instructions in Software Setup & Quick Start Guide, EP59-09871 or Vantage Plus Digital Installation CD, 2415-P-7003.

Please see overleaf for further instructions and contact details



Keeler

6 Correct positioning

Position the binocular indirect ophthalmoscope on your head and adjust as you would normally, positioning the light patch as you would during a normal examination.



7 Adjust the camera patch

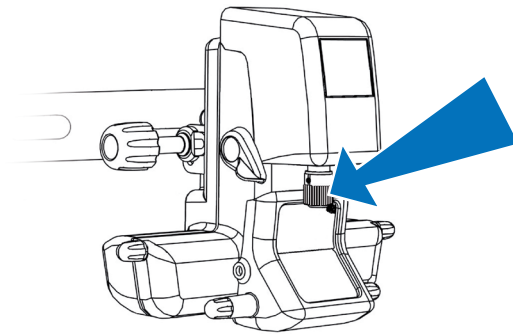
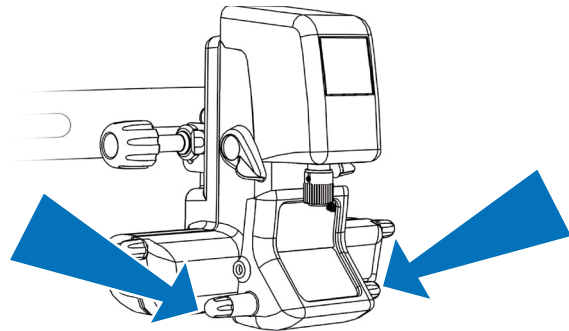
Adjust the camera patch on the screen by rotating the spindle.



Too high on the screen

Too low on the screen

Central on the screen



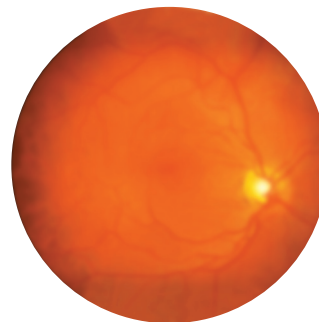
8 Adjust the focus lens

Adjust the focus of the lens by rotating the focus adjusting lever.

9 Working distance

The working distance is variable from 300-600mm from the front of the patient's eye to the front of the instrument with a 20D lens.

If the image on the screen is out of focus you need to move the optics forwards and or backwards until it becomes in focus.



Retinal image out of focus



Retinal image in focus

Contact information

Manufactured in the UK by:

Keeler Limited
Clewer Hill Road
Windsor
Berkshire SL4 4AA
England

Freephone: 0800 521 251
Tel: +44 (0)1753 857177
Fax: +44 (0)1753 827145

Distributed by:

Keeler Instruments Inc.
456 Parkway
Broomall
PA 19008,
USA

Toll Free: 1 800 523 5620
Tel: 610 353 4350
Fax: 610 353 7814